

DRAG-ON SHEET HANDLING TOOLS



Serpent and Dove – Applied Magnetics Pty Ltd

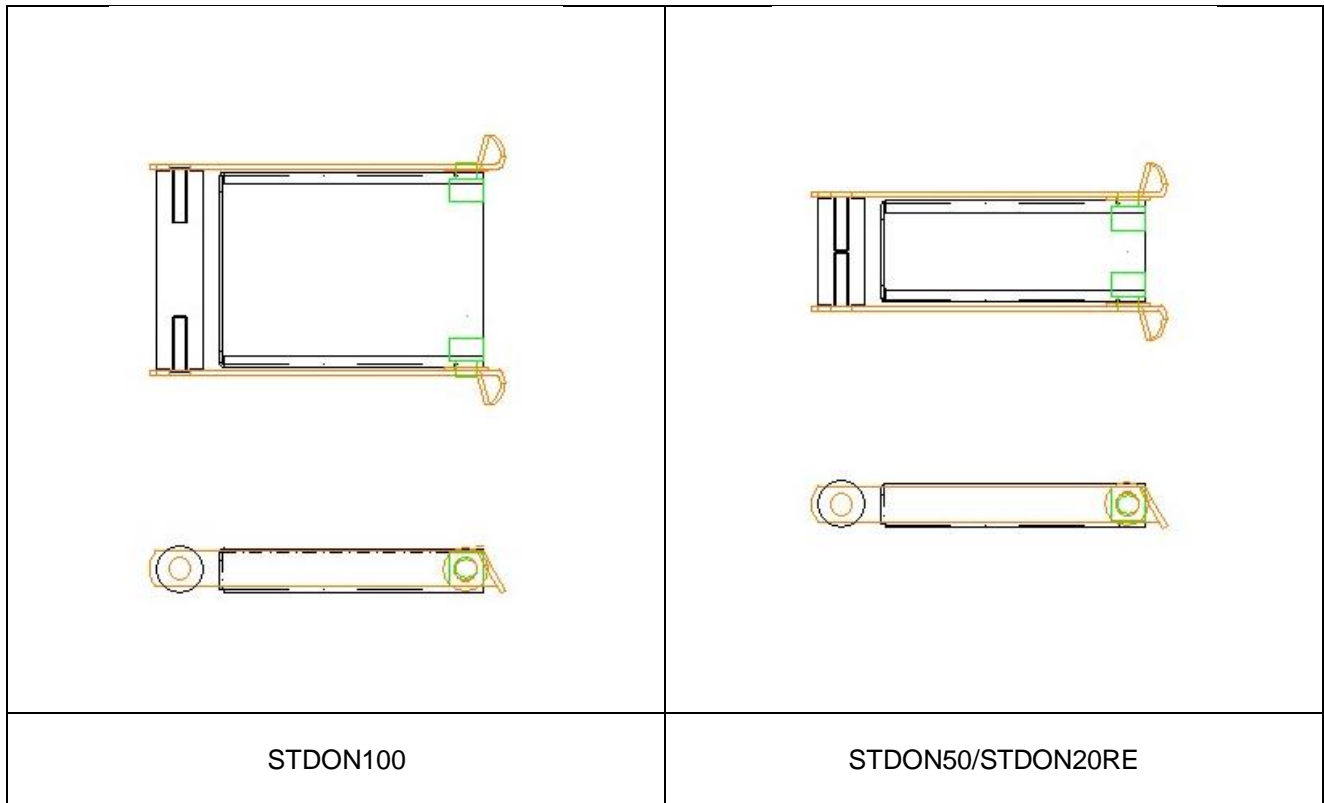
ABN 99 151 353 543

6/32 Campbell Ave Dee Why West NSW 2099, Australia

+61 2 9971 7577 Fax + 61 2 9971 2892

sales@serpent-dove.com

www.serpent-dove.com



Model	Part No.	Body Width	Body Length	Overall Length	Nominal Maximum Drag Force (kg)
DRAG-ON 50	STDON50	57mm	145mm	200mm	50
DRAG-ON 100	STDON100	105mm	145mm	200mm	100
DRAG-ON 200	STDON20RE	57mm	145mm	200mm	200



Serpent and Dove – Applied Magnetism Pty Ltd

ABN 99 151 353 543

6/32 Campbell Ave Dee Why West NSW 2099, Australia
 +61 2 9971 7577 Fax + 61 2 9971 2892

sales@serpent-dove.com

www.serpent-dove.com