



Magswitch Technology, Inc.
 8774 Yates Dr. Suite 140
 Westminster, CO 80031
 Magswitch.com.au
 303-468-0662

Magswitch Hand Lifter 60-CE (Cordless Electric)

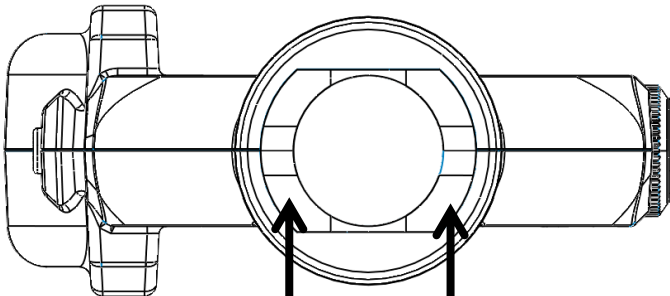
P/N: 8100385

The Magswitch Hand Lifter 60-CE is the “world’s first” Cordless Electric Hand Lifter! The hand lifter 60-CE is a must of every metal fab shop. The Cordless Electric Hand Lifter is ideal for pulling parts out of a burn table, picking up steel to place on a work table, in a fixture, or handling scrap parts. 2000 actuations per charge.



WARNING!
Do Not Operate Unless In Contact With Ferrous Target

SPECIFICATIONS	
P/N: 8100359 - MAGSWITCH Hand Lifter 60-CE (Cordless Electric)	
Max Breakaway*	235 lbs/106 kg
Full Saturation Thickness	0.25" / 6 mm
2:1 Shear Working Load*	45lbs / 20 kg
Net Weight	2.4 lbs/1.1 kg
Overall Height	106 mm
Magnetic Pole Footprint	56mm x 42mm



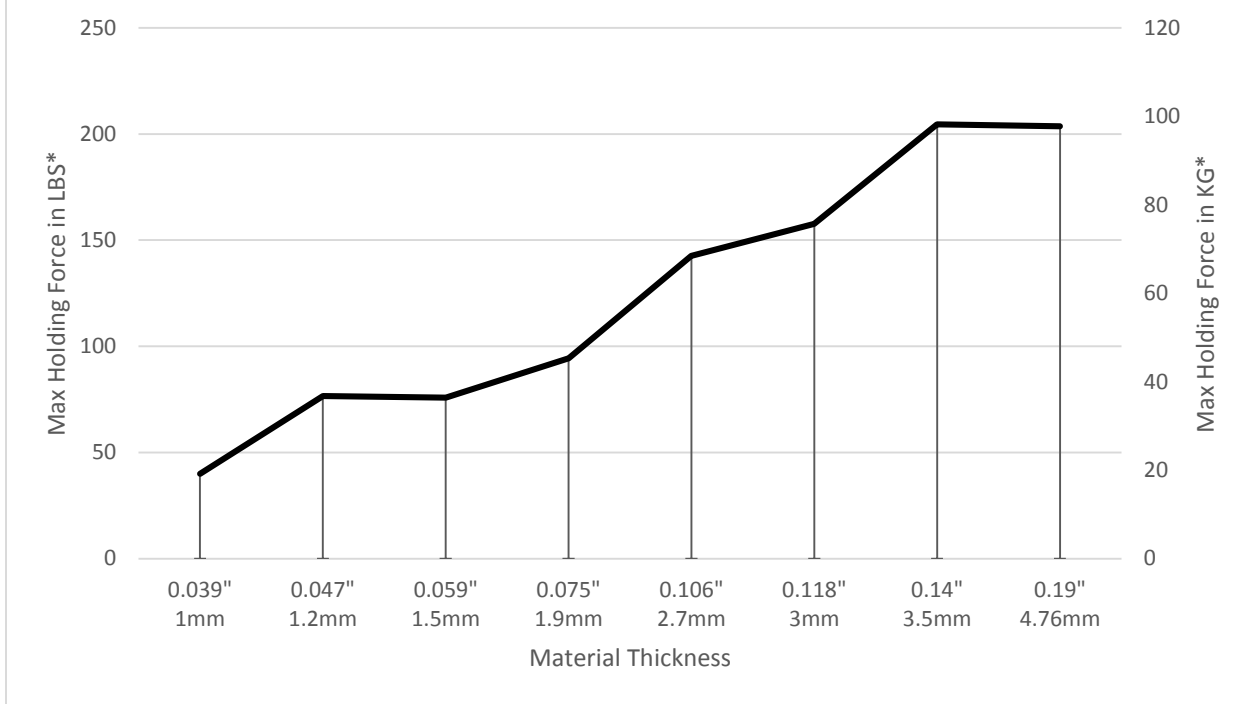
WORKING SURFACE



Part Number 110692
 Revision Date: June 26, 2012

* Max Breakaway determined in laboratory environment on 2" thick SAE1018 Steel with surface roughness 63 micro inches. Many factors contribute to the actual breakaway force in each application. Always test the magswitch in each application before deployment. Refer to the magswitch information booklet for more information.

Magswitch Hand Lifter 60 CE Breakaway Data vs. Thickness

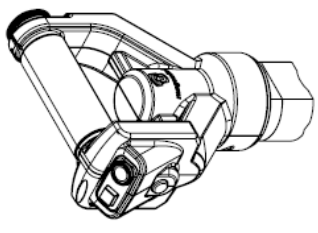
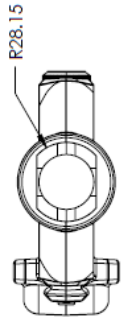
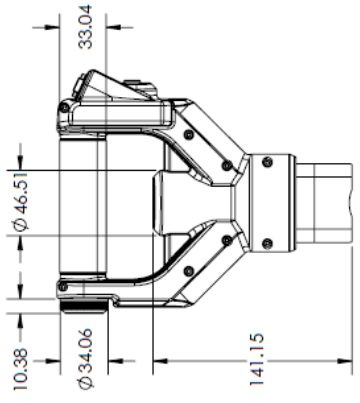
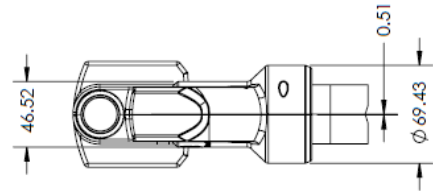
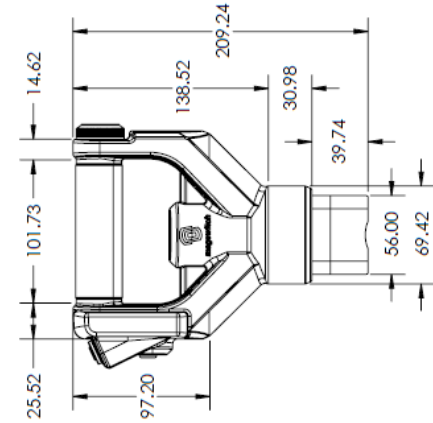
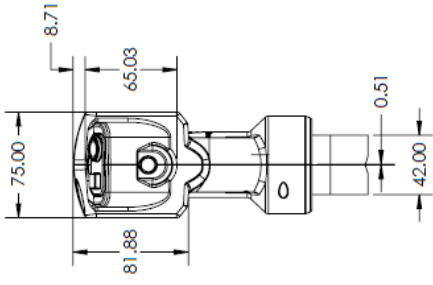
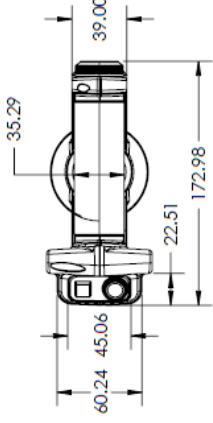


Part Number 110692
Revision Date: June 26, 2012

1 2 3 4 5 6

ACCESSORIES	
PART NUMBER	DESCRIPTION
8800053	2X 4V Battery Replacement
8800054	4V Charger

Max Breakaway	197 lbs
Safe Working Load	66 lbs
Optimum Material Thickness	1/4"



THIS DOCUMENT, AND THE INFORMATION IT CONTAINS, INCLUDING THE PROPERTIES OF MAGSWITCH TECHNOLOGY WORLDWIDE AND IS CONFIDENTIAL. ACCORDINGLY, YOU HEREBY AGREE THAT IT IS NOT TO BE REPRODUCED, COPIED, OR LOANED IN PART OR IN WHOLE, NOR IS THE INFORMATION TO BE RELEASED OR USED BY ANY INDIVIDUAL OR ENTITY WITHOUT THE WRITTEN FIRST AUTHORIZATION IN WRITING. ACCEPTANCE OF THIS DOCUMENT CONSTITUTES AGREEMENT TO THESE RESTRICTIONS.

INTERPRET DRAWING PER: ISAWWA
ANSI Y14.5M-1994
DIMENSIONS
MILLIMETERS
THIRD ANGLE PROJECTION
DO NOT SCALE

DATE	DATE	DATE	DATE	DATE
4/18/2012				
DESIGN	DESIGN	3RD CHECK	2ND CHECK	APPROVED

		8774 YATES DRIVE, SUITE 140 WESTMINSTER, COLORADO 80031 303-468-0662 / FAX 303-951-9918	
TITLE: Magswitch Hand Lifter - 60 CE			
SIZE	CAGE CODE	DWG. NO.	REV.
B		8100385	01
SCALE 1:3	WEIGHT: 1100.00 g	SHEET 1 OF 1	



Part Number 110692
Revision Date: June 26, 2012