



Magswitch Technology, Inc.
 8774 Yates Dr. Suite 140
 Westminster, CO 80031
 Magswitch.com.au
 303-468-0662

Magswitch Extenda-Lift 600

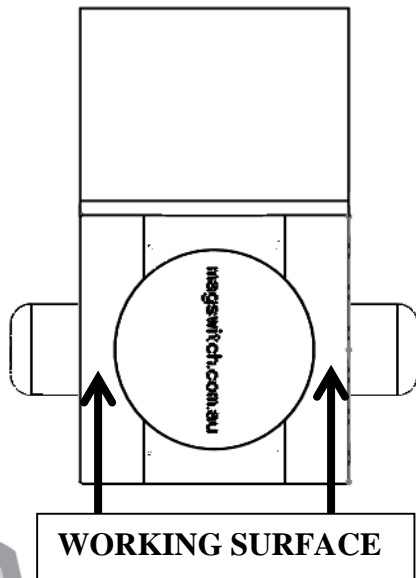
P/N: 8100025

With the Magswitch Magnetic Extenda-Lift, you can pick up and move steel without bending over and using your hands; offering convenience and safety advantages. You can pick up plate, pipe, or steel scrap off the floor with ease. Also works great for picking up hot, sharp or dirty steel without touching it. Extenda-Lift 600 has 600 lbs (272 kg) of hold force. Extenda-Lift 1000 has 1000 lbs (454 kg) of hold force. Ideal for cities and utilities. Valve box and small lid removal.



WARNING!
Do Not Operate Unless In
Contact With Ferrous Target

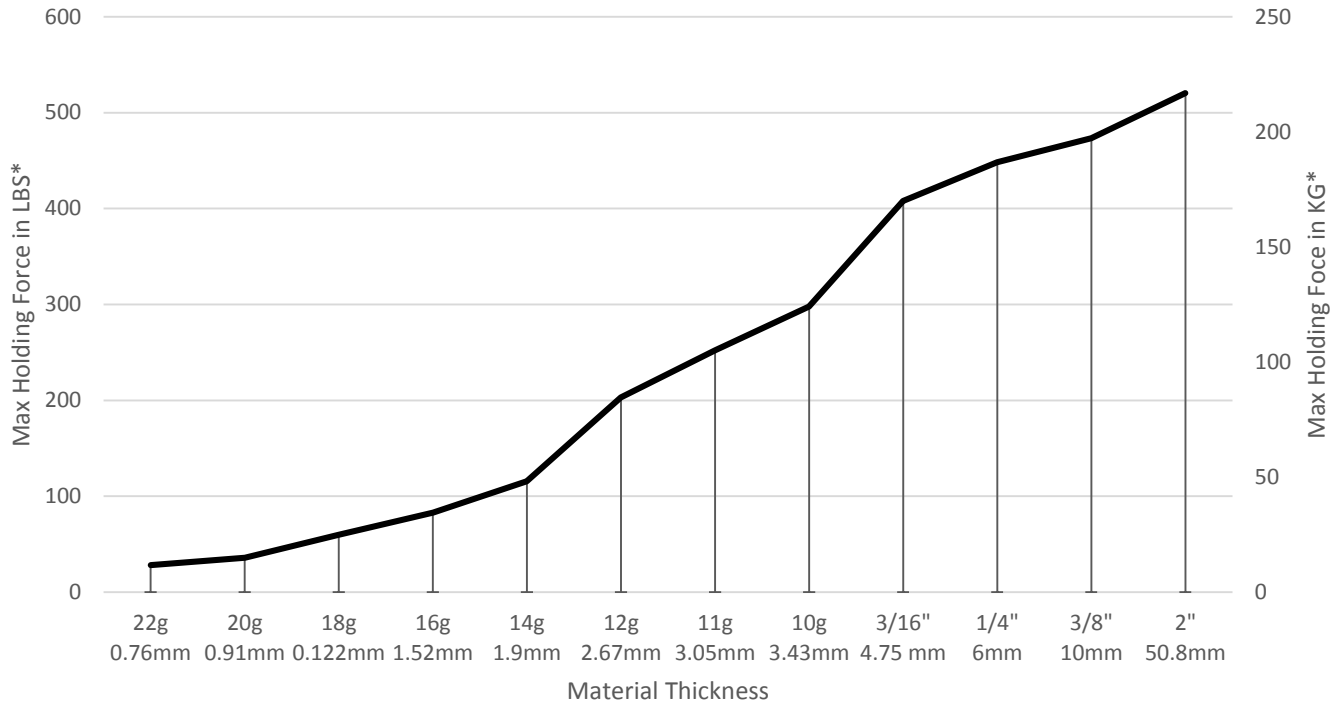
SPECIFICATIONS	
P/N: 8100025 - MAGSWITCH Extenda-Lift 600	
Max Breakaway*	600 lbs/272 kg
Full Saturation Thickness	2" / 50.8 mm
2:1 Shear Working Load*	45 lbs / 20.5 kg
Net Weight	5.3 lbs/2.4 kg
Overall Height	724 mm
Magnetic Pole Footprint	116.8 mm x 66 mm



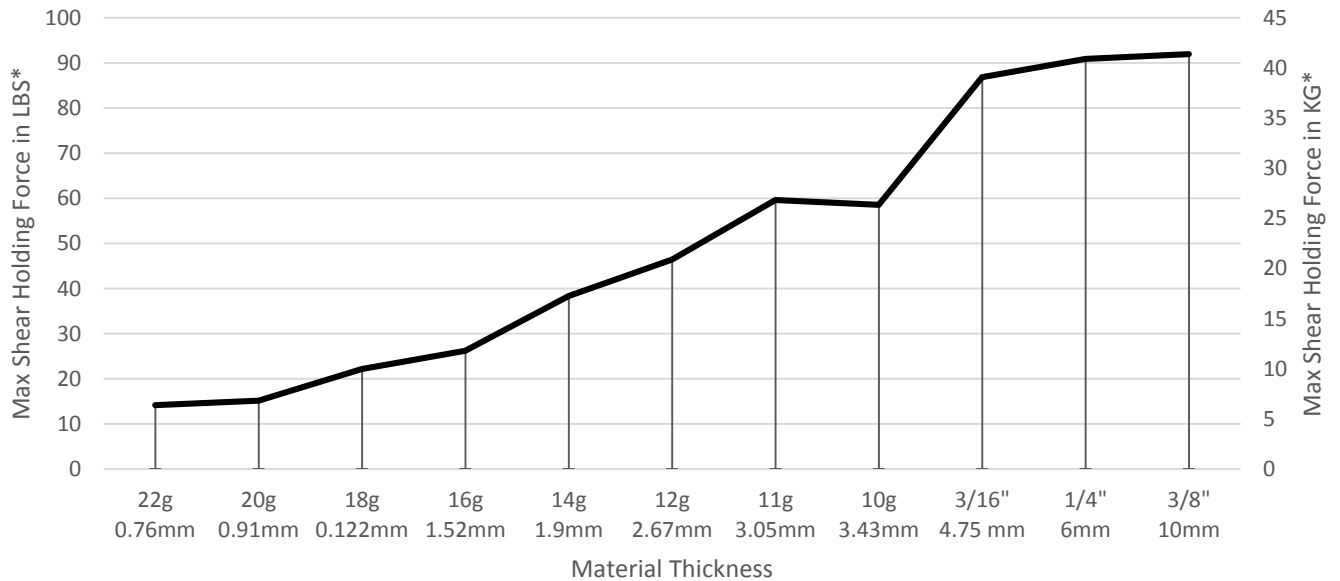
Part Number 110692
 Revision Date: June 26, 2012

* Max Breakaway determined in laboratory environment on 2" thick SAE1018 Steel with surface roughness 63 micro inches. Many factors contribute to the actual breakaway force in each application. Always test the magswitch in each application before deployment. Refer to the magswitch information booklet for more information.

Magswitch Extenda-Lift 600 Breakaway Data vs. Thickness



Magswitch Extenda-Lift 600 Shear Data vs. Thickness

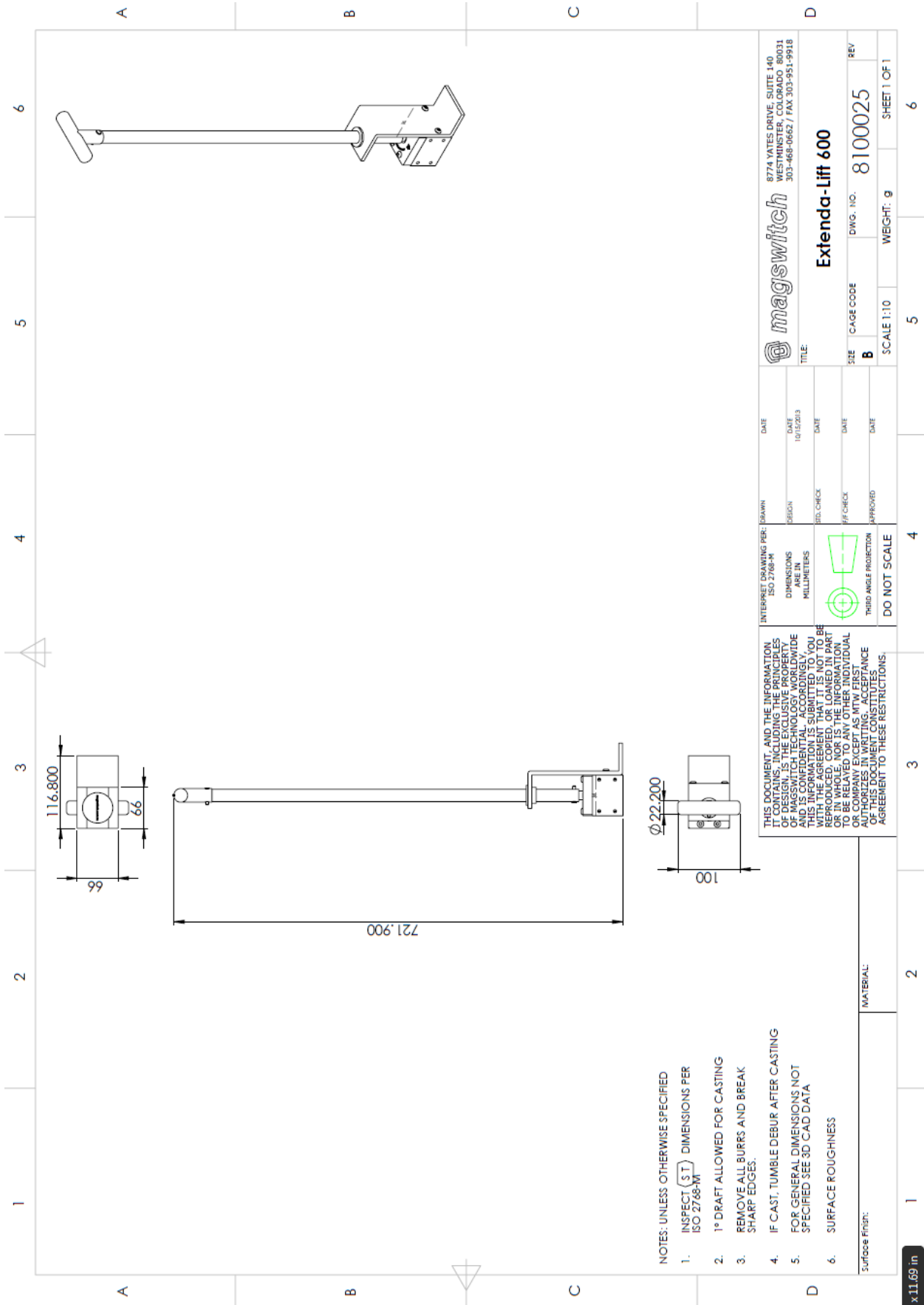


Part Number 110692
Revision Date: June 26, 2012

* Max Breakaway determined in laboratory environment on 2" thick SAE1018 Steel with surface roughness 63 micro inches. Many factors contribute to the actual breakaway force in each application. Always test the magswitch in each application before deployment. Refer to the magswitch information booklet for more information.



Part Number 110692
 Revision Date: June 26, 2012



NOTES: UNLESS OTHERWISE SPECIFIED

1. INSPECT (ST) DIMENSIONS PER ISO 2768-MT
2. 1° DRAFT ALLOWED FOR CASTING
3. REMOVE ALL BURRS AND BREAK SHARP EDGES.
4. IF CAST, TUMBLE DEBUR AFTER CASTING
5. FOR GENERAL DIMENSIONS NOT SPECIFIED SEE 3D CAD DATA
6. SURFACE ROUGHNESS

Surface Finish:

MATERIAL:

THIS DOCUMENT, AND THE INFORMATION IT CONTAINS, INCLUDING THE PRINCIPLES OF MAGSWITCH TECHNOLOGY, IS UNLAWFUL AND IS CONFIDENTIAL, ACCORDINGLY, THIS INFORMATION IS SUBMITTED TO YOU BY REPRODUCTION, OR LOANED IN PART OR IN WHOLE, NOR IS THE INFORMATION TO BE RELAYED TO ANY OTHER INDIVIDUAL WITHOUT THE WRITTEN CONSENT. ACCEPTANCE OF THIS DOCUMENT CONSTITUTES AGREEMENT TO THESE RESTRICTIONS.

INTERPRET DRAWING PER: DRAWN
 ISO 2768-PT
 DIMENSIONS
 MILLIMETERS

 THIRD ANGLE PROJECTION
 DO NOT SCALE

DATE	DATE	DATE	DATE	DATE
DESIGN	10/15/2013	REV. CHECK	#/CHECK	APPROVED

magswitch
 8774 YATES DRIVE, SUITE 140
 WESTMINSTER, COLORADO 80031
 303-468-0662 / FAX 303-951-9918

Extenda-Lift 600

SIZE: CAGE CODE: B
 DWG. NO.: 8100025
 SCALE: 1:10
 WEIGHT: g

REV: 8100025
 SHEET 1 OF 1

x11.69 in