



Magswitch Technology, Inc.  
 8774 Yates Dr. Suite 140  
 Westminster, CO 80031  
 Magswitch.com.au  
 303-468-0662

# Magswitch BoomerAngle 600

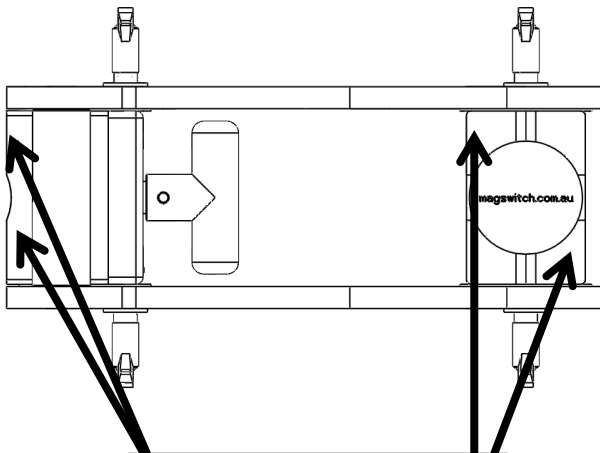
## P/N: 8100090

With the Magswitch Magnetic Extenda-Lift, you can pick up and move steel without bending over and using your hands; offering convenience and safety advantages. You can pick up plate, pipe, or steel scrap off the floor with ease. Also works great for picking up hot, sharp or dirty steel without touching it. Extenda-Lift 600 has 600 lobs (272 kg) of hold force. Extenda-Lift 1000 has 1000 lbs (454 kg) of hold force. Ideal for cities and utilities. Valve box and small lid removal.



**WARNING!**  
**Do Not Operate Unless In**  
**Contact With Ferrous Target**

SPECIFICATIONS	
<b>P/N: 8100090 - MAGSWITCH BoomerAngle 600</b>	
Max Breakaway*	600 lbs/272 kg
Full Saturation Thickness	3/8" / 10mm
2:1 Shear Working Load*	61 lbs/ 27 kg
Net Weight	9.7 lbs/4.4 kg
Overall Height	272 mm
Magnetic Pole Footprint	75mm x 51.5mm



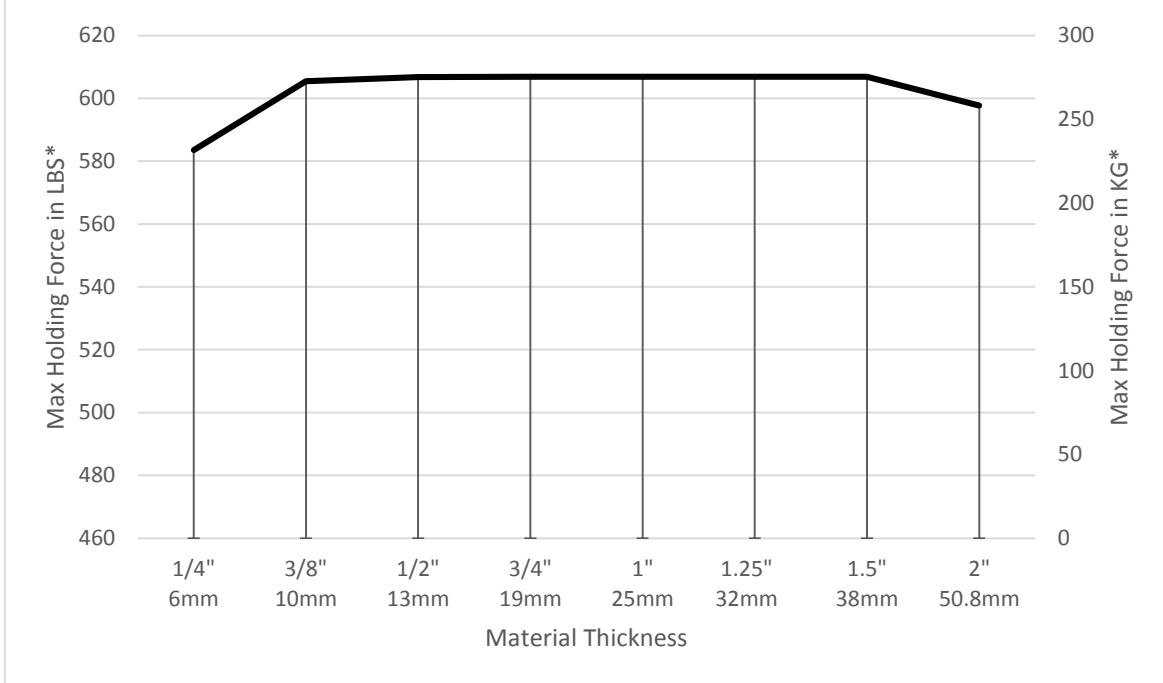
**WORKING SURFACE**



Part Number 110692  
 Revision Date: June 26, 2012

\* Max Breakaway determined in laboratory environment on 2" thick SAE1018 Steel with surface roughness 63 micro inches. Many factors contribute to the actual breakaway force in each application. Always test the magswitch in each application before deployment. Refer to the magswitch information booklet for more information.

Magswitch 90 Degree Angle 600 Breakaway Data vs. Thickness

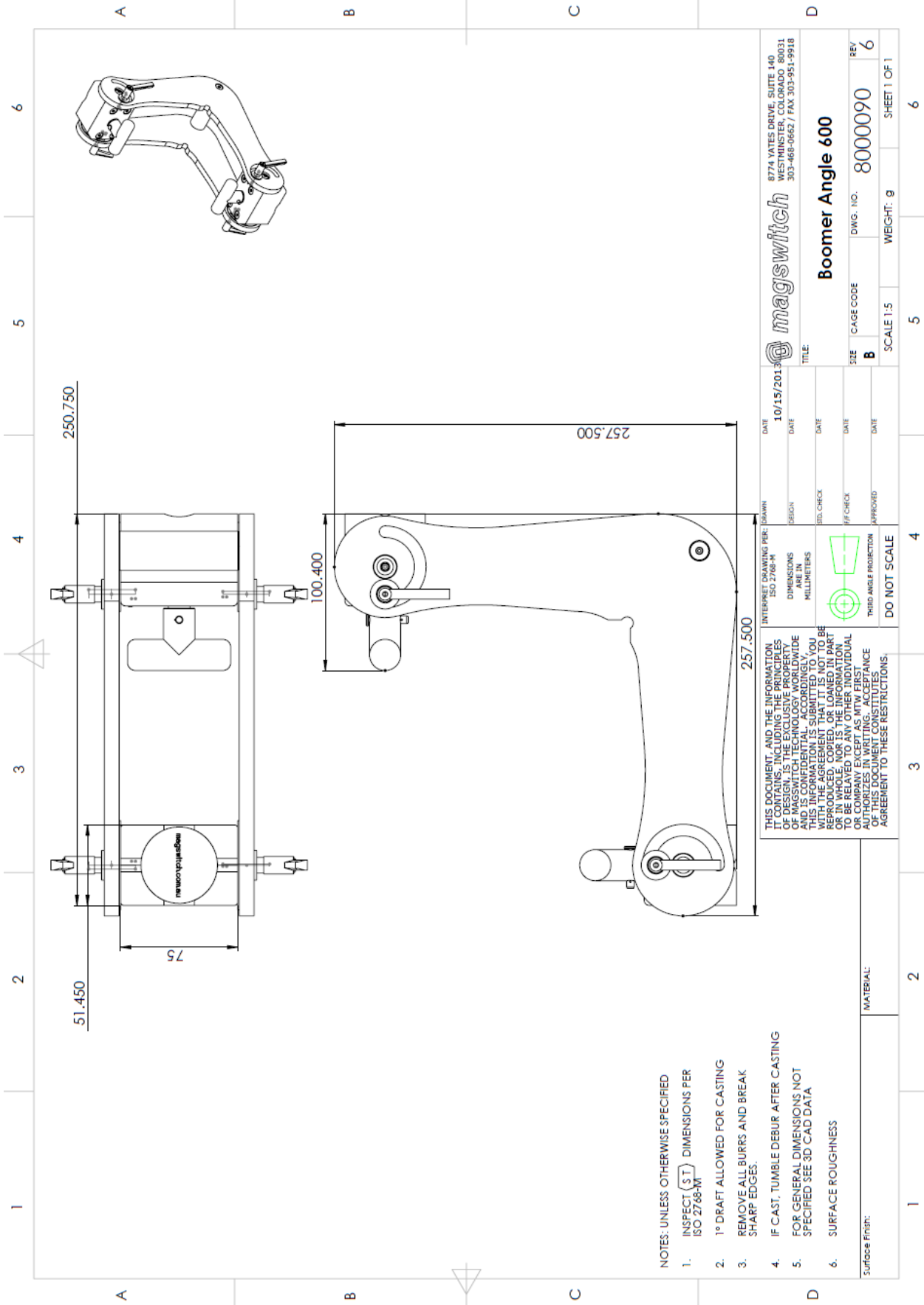


Part Number 110692  
Revision Date: June 26, 2012

\* Max Breakaway determined in laboratory environment on 2" thick SAE1018 Steel with surface roughness 63 micro inches. Many factors contribute to the actual breakaway force in each application. Always test the magswitch in each application before deployment. Refer to the magswitch information booklet for more information.



Part Number 110692  
 Revision Date: June 26, 2012



- NOTES: UNLESS OTHERWISE SPECIFIED
1. INSPECT (S.T.) DIMENSIONS PER ISO 2768-M
  2. 1° DRAFT ALLOWED FOR CASTING
  3. REMOVE ALL BURRS AND BREAK SHARP EDGES.
  4. IF CAST, TUMBLE DEBUR AFTER CASTING
  5. FOR GENERAL DIMENSIONS NOT SPECIFIED SEE 3D CAD DATA
  6. SURFACE ROUGHNESS

Surface Finish:

MATERIAL:

THIS DOCUMENT, AND THE INFORMATION IT CONTAINS, INCLUDING THE PRINCIPLES OF MAGSWITCH, IS THE SOLE PROPERTY OF MAGSWITCH. IT IS NOT TO BE REPRODUCED, COPIED, OR LOANED IN ANY MANNER WITHOUT THE WRITTEN PERMISSION OF MAGSWITCH. ANY REPRODUCTION OR TRANSMISSION OF THIS DOCUMENT CONSTITUTES AN AGREEMENT TO THESE RESTRICTIONS.

INTERPRET DRAWING PER:  
 ISO 2768-M  
 DIMENSIONS ARE IN MILLIMETERS  
 THIRD ANGLE PROJECTION  
 DO NOT SCALE

DATE	10/15/2013	DATE	
DRAWN		DESIGN	
DATE		DATE	
DATE		DATE	
DATE		DATE	
DATE		DATE	
DATE		DATE	
DATE		DATE	
DATE		DATE	
DATE		DATE	

**magswitch**  
 8774 YATES DRIVE, SUITE 140  
 WESTMINSTER, COLORADO 80031  
 303-468-0662 / FAX 303-951-9918

**Boomer Angle 600**

SIZE: **B** CAGE CODE: **8000090** REV: **6**  
 DWG. NO.: **8000090**  
 SCALE 1:5 WEIGHT: g SHEET 1 OF 1